

VETERINARY SURGERY DEVICE

FIXUS

DCP
SYSTEM

POWERLOCK
by **FIXUS**

LOCKING
SYSTEMS

 **vetsuture**[®]

SUTURES

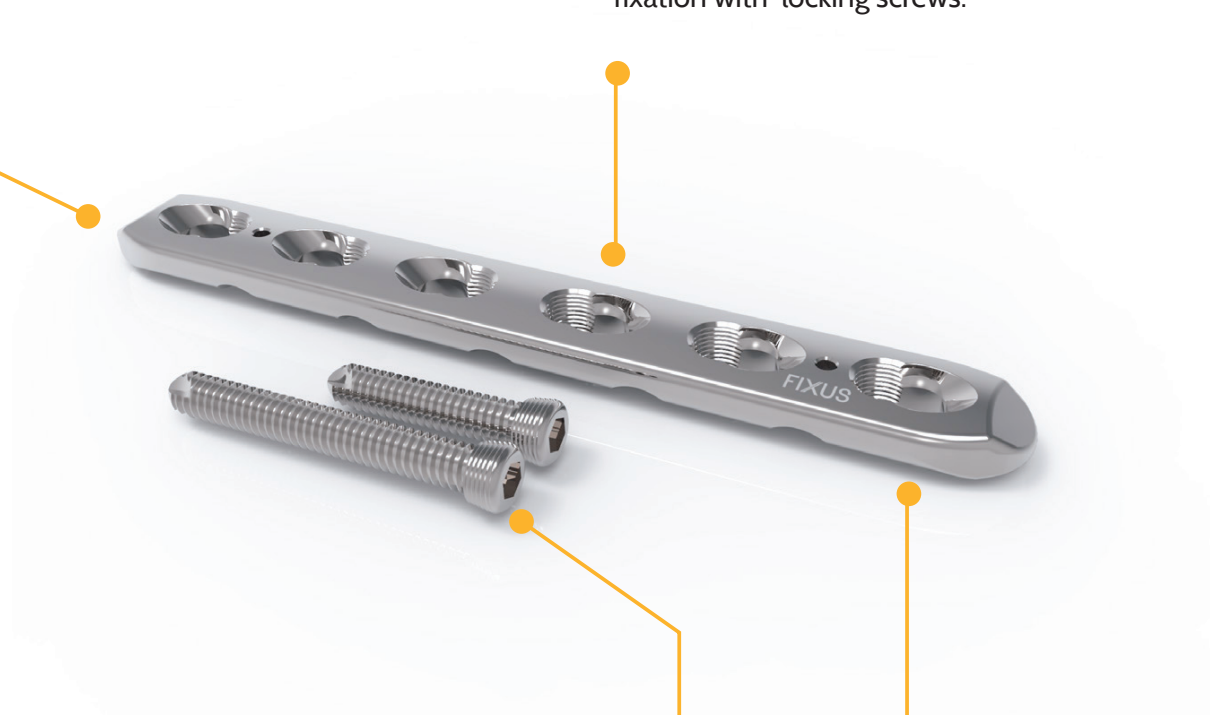
BY NOÉVIA AND CELSUSMED

Stainless Steel

Our products are manufactured in 316L stainless steel, in compliance with international quality standards.

Use cortical and/or locking screws

You can both use locking and cortical screws on the POWERLOCK plate. Allows compression with conventional screws and strong fixation with locking screws.



Threaded head

Better mechanical strength and a quick implementation, threading allows an optimized locking.

Low contact shape

Allows limited contact between the plate and the bone, which minimizes the risk of temporary osteoporosis under the plate.

PLATES

	ø2.0		ø2.4		ø2.7		ø3.5		ø3.5 large		
Width Tickness Space bw holes	5mm 1,3mm 7mm		6.5mm 1,7 (4 to 8) then 2.0 mm 8mm		8mm 2,8mm 9mm		11mm 3,8mm 13mm		13.5mm 4,2mm 13mm		Width Tickness Space bw holes
Holes	Code	Length	Code	Length	Code	Length	Code	Length	Code	Length	Holes
4	PLP20.04P	31	PLP24.04P	36	PLP27.04P	40	PLP35.04P	59			4
5	PLP20.05P	38	PLP24.05P	44	PLP27.05P	49	PLP35.05P	72			5
6	PLP20.06P	45	PLP24.06P	52	PLP27.06P	58	PLP35.06P	85	PLP35.06B	81	6
7	PLP20.07P	52	PLP24.07P	60	PLP27.07P	67	PLP35.07P	98	PLP35.07B	94	7
8	PLP20.08P	59	PLP24.08P	68	PLP27.08P	76	PLP35.08P	111	PLP35.08B	107	8
9	PLP20.09P	66	PLP24.09P	76	PLP27.09P	85	PLP35.09P	124	PLP35.09B	120	9
10	PLP20.10P	73	PLP24.10P	84	PLP27.10P	94	PLP35.10P	137	PLP35.10B	133	10
11			PLP24.11P	92	PLP27.11P	103	PLP35.11P	150	PLP35.11B	146	11
12	PLP20.12P	87	PLP24.12P	100	PLP27.12P	112	PLP35.12P	163	PLP35.12B	159	12
14			PLP24.14P	116	PLP27.14P	130	PLP35.14P	189	PLP35.14B	185	14
16									PLP35.16B	211	16
18									PLP35.18B	237	18
20									PLP35.20B	263	20
Locking Sleeve	GLP20.15X	35	GLP24.18X	35	GLP27.20X	35	GLP35.28X	35	GLP35.28X	35	Locking Sleeve

« With a solid connection,
it forms a tough system,
stabilizing perfectly bone
fragments. »

SCREWS

	ø2.0	ø2.4	ø2.7	ø3.5	
Tip Head Diam Pilot Drill	1.5mm Hex 3.2mm ø 1.5	2.0mm Hex 3.8mm ø 1.8	2.0mm Hex 3.8mm ø 2.0	2.5mm Hex 4.8mm ø 2.8	Tip Head Diam Pilot Drill
Length mm	Code	Code	Code	Code	Length mm
6	PLS20.06H	PLS24.06H	PLS27.06H		6
8	PLS20.08H	PLS24.08H	PLS27.08H	PLS35.08H	8
10	PLS20.10H	PLS24.10H	PLS27.10H	PLS35.10H	10
12	PLS20.12H	PLS24.12H	PLS27.12H	PLS35.12H	12
14	PLS20.14H	PLS24.14H	PLS27.14H	PLS35.14H	14
16	PLS20.16H	PLS24.16H	PLS27.16H	PLS35.16H	16
18	PLS20.18H	PLS24.18H	PLS27.18H	PLS35.18H	18
20	PLS20.20H	PLS24.20H	PLS27.20H	PLS35.20H	20
22	PLS20.22H	PLS24.22H	PLS27.22H	PLS35.22H	22
24	PLS20.20H	PLS24.24H	PLS27.24H	PLS35.24H	24
26	PLS20.26H	PLS24.26H	PLS27.26H	PLS35.26H	26
28	PLS20.28H	PLS24.28H	PLS27.28H	PLS35.28H	28
30				PLS35.30H	30
32				PLS35.32H	32
34				PLS35.34H	34
36				PLS35.36H	36
38				PLS35.38H	38
40				PLS35.40H	40
42				PLS35.42H	42
44				PLS35.44H	44
46				PLS35.46H	46
48				PLS35.48H	48
50				PLS35.50H	50
Spacer	PLS20.SPH	PLS24.SPH	PLS27.SPH	PLS35.SPH	Spacer

Stainless Steel

Our products are manufactured in 316L stainless steel, in compliance with international quality standards.

Compression

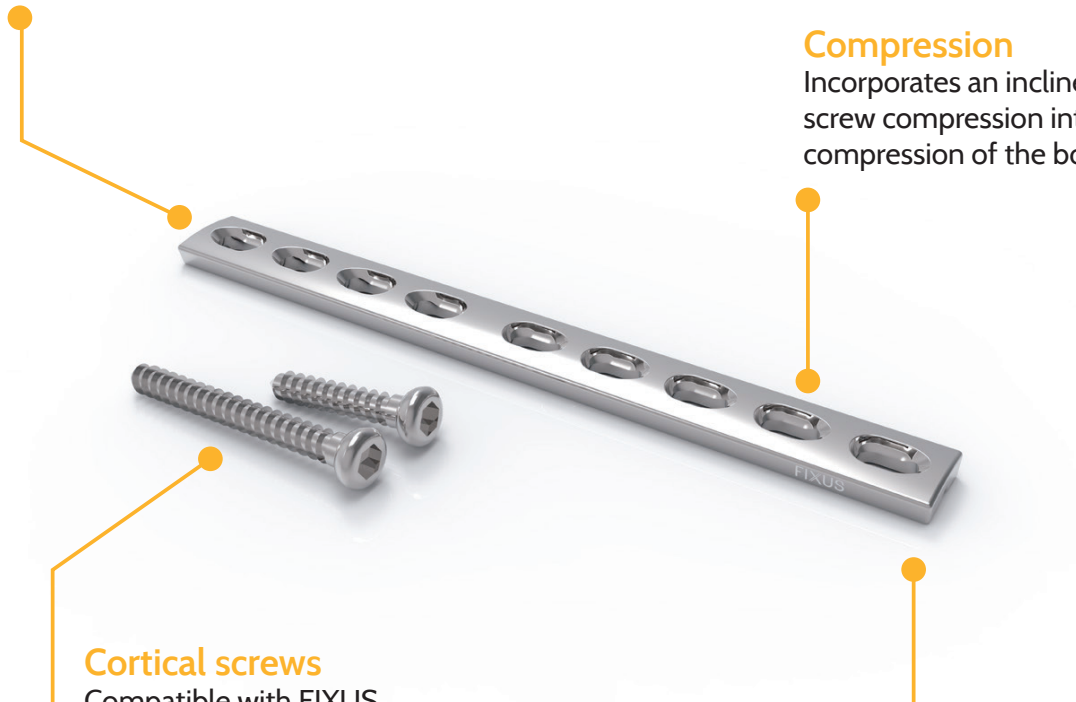
Incorporates an incline in the hole that converts screw compression into plate translation and compression of the bone fracture

Cortical screws

Compatible with FIXUS screws which can be inserted in the neutral position, or in loaded position if desired interfragmentary compression

A wide Range

FIXUS DCP plate are available from size 2.0 to 3.5 large from 4 to 20 holes !



PLATES

	ø2.0	ø2.4	ø2.7	ø3.5	ø3.5 broad	
Tickness	1,2 mm	1,8 (4 to 6) then 2.0 mm	2 mm	3,2 mm	3,6 mm	Tickness
Width	5 mm	6,5 mm	8 mm	10 mm	12 mm	Width
Space bw holes	5 mm	7 mm	8 mm	12 mm	12 mm	Space bw holes
Sp bw central h	6 mm	9 mm	11 mm	16 mm	16 mm	Sp bw central h

Holes	Code	Length	Code	Length	Code	Length	Code	Length	Code	Length	Holes
4	DCP20.04P	22	DCP24.04P	31	DCP27.04P	36	DCP35.04P	50			4
5	DCP20.05P	27	DCP24.05P	38	DCP27.05P	44	DCP35.05P	62			5
6	DCP20.06P	32	DCP24.06P	45	DCP27.06P	52	DCP35.06P	74	DCP35.06B	74	6
7	DCP20.07P	37	DCP24.07P	52	DCP27.07P	60	DCP35.07P	86	DCP35.07B	86	7
8	DCP20.08P	42	DCP24.08P	59	DCP27.08P	68	DCP35.08P	98	DCP35.08B	98	8
9	DCP20.09P	47	DCP24.09P	66	DCP27.09P	76	DCP35.09P	110	DCP35.09B	110	9
10	DCP20.10P	52	DCP24.10P	73	DCP27.10P	84	DCP35.10P	122	DCP35.10B	122	10
11			DCP24.11P	80	DCP27.11P	92	DCP35.11P	134	DCP35.11B	134	11
12	DPC20.12P	62	DCP24.12P	87	DCP27.12P	100	DCP35.12P	146	DCP35.12B	146	12
14			DCP24.14P	101	DCP27.14P	116	DCP35.14P	169	DCP35.14B	170	14
16									DCP35.16B	194	16
18									DCP35.18B	218	18
20									DCP35.20B	242	20

« Because of their versatility
and their lower cost, these plates
have been used to treat all type of
fractures »

SCREWS

	ø2.0	ø2.4	ø2.7	ø3.5
Tip	1.5 mm	1.5 mm	2.5 mm	2.5 mm
Head	Hexagonal	Hexagonal	Hexagonal	Hexagonal
Pilot Drill	3.8 mm	3.8 mm	5 mm	6 mm
TPI	ø 1.5 36	ø 1.8 36	ø 2.0 24	ø 2.5 20

Length mm	selftapping	selftapping	selftapping	selftapping
6	CST20.06H	CST24.06H	CST27.06H	
8	CST20.08H	CST24.08H	CST27.08H	
10	CST20.10H	CST24.10H	CST27.10H	CST35.10H
12	CST20.12H	CST24.12H	CST27.12H	CST35.12H
14	CST20.14H	CST24.14H	CST27.14H	CST35.14H
16	CST20.16H	CST24.16H	CST27.16H	CST35.16H
18	CST20.18H	CST24.18H	CST27.18H	CST35.18H
20	CST20.20H	CST24.20H	CST27.20H	CST35.20H
22	CST20.22H	CST24.22H	CST27.22H	CST35.22H
24	CST20.24H	CST24.24H	CST27.24H	CST35.24H
26	CST20.26H	CST24.26H	CST27.26H	CST35.26H
28	CST20.28H	CST24.28H	CST27.28H	CST35.28H
30				CST35.30H
32				CST35.32H
34				CST35.34H
36				CST35.36H
38				CST35.38H
40				CST35.40H
45				CST35.45H
50				CST35.50H

Cut-To-Length Plate

Width : 7 mm - Distance between center of holes : 6mm

Holes	Code	Use with	Thickness	Length
50	VCP24.50P	2.0, 2.4 and 2.7 cortical screws	1.3mm	300 mm
50	VCP24.50T *	2.0, 2.4 and 2.7 cortical screws	1.5mm	300 mm
50	VCP24.50B *	2.0, 2.4 and 2.7 cortical screws	2.0mm	300 mm
50	LCP24.50L *	2.4 and 2.7 locking screws	2.0mm	300 mm

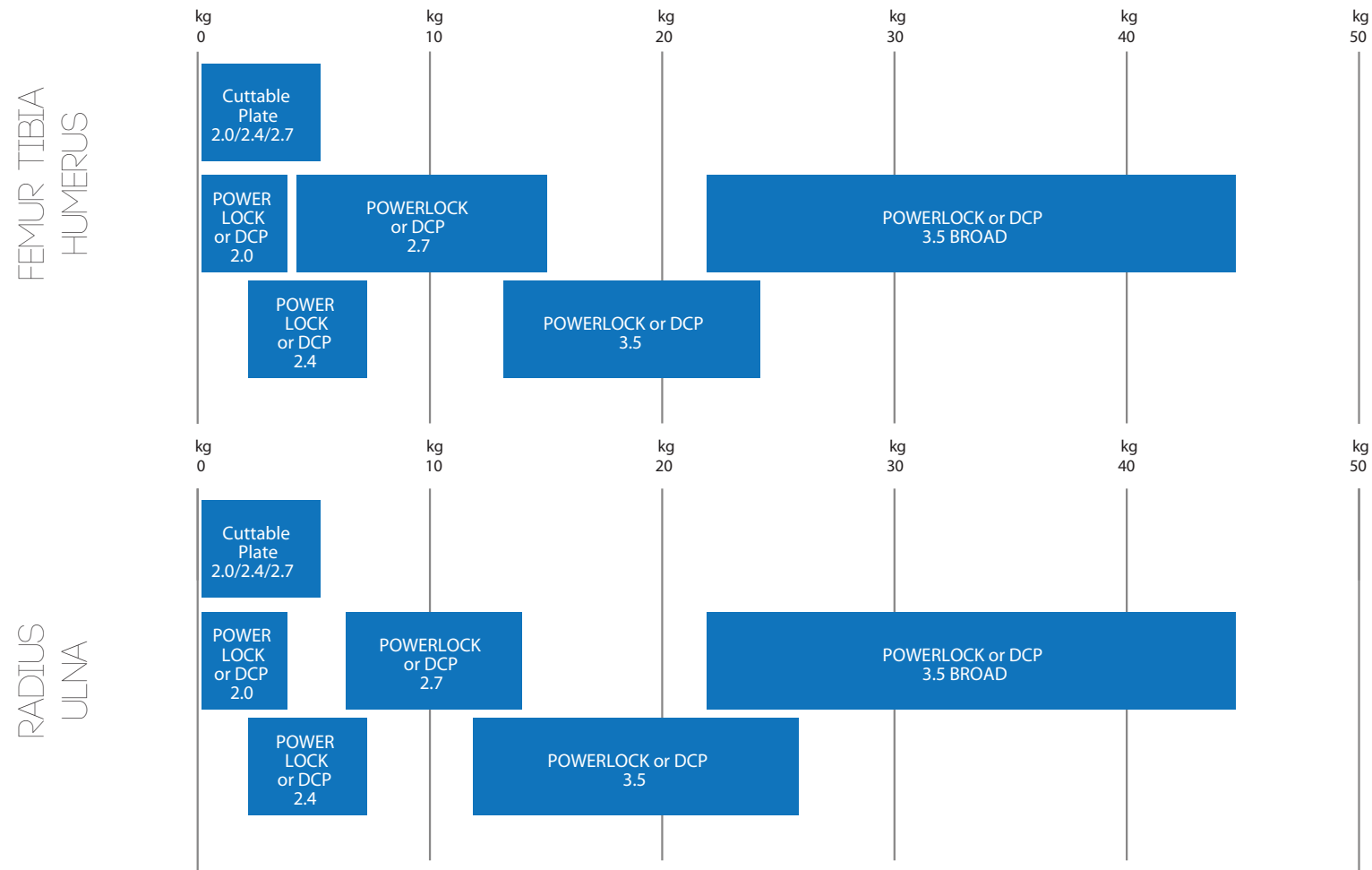


*AVAILABLE END OF 2017

LOCKING DRILL SLEEVE

∅ Screw	Item Code	Length	Drill at
2.0	GLP20.15X	35 mm	∅1.5
2.4	GLP24.18X	35 mm	∅1.8
2.7	GLP27.20X	35 mm	∅2.0
3.5	GLP35.28X	35 mm	∅2.8

HOW TO USE



* GIVEN INDICATION. ONLY THE SURGEON IS COMPETENT TO CHOOSE THE SIZES AND TYPES OF IMPLANTS NECESSARY TO ITS OPERATION.



Info und Vertrieb in Österreich:
celsusmed KG
1020 Wien
www.celsusmed.at
office@celsusmed.at